

# SPARE PARTS CATALOGUE

## PREMIUM/STANDARD CABINET ONE DOORS REMOTE CO2

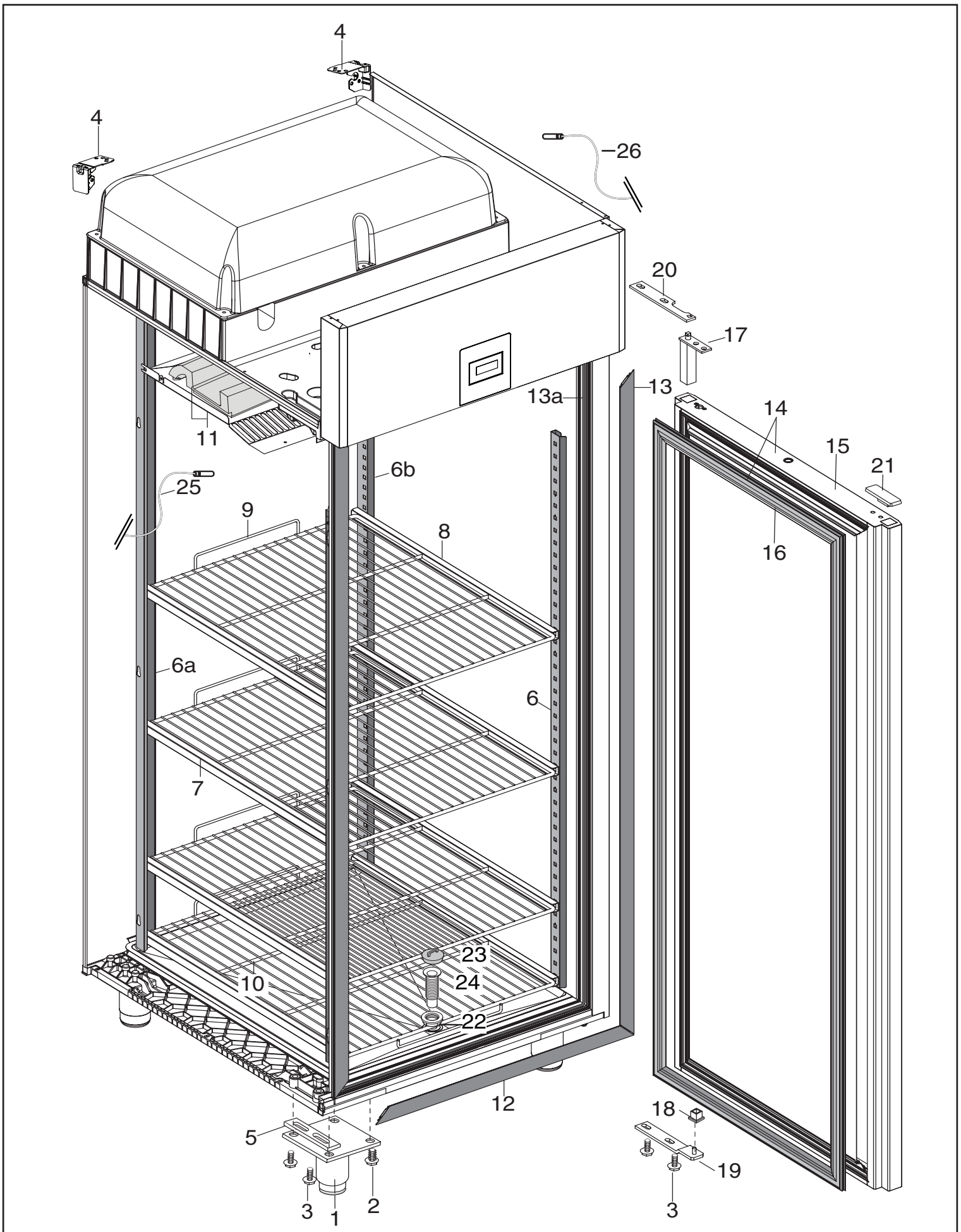
### FREEZER/REFRIGERATOR

PNC	MODEL	REF.	PAG.	DESCRIPTION	NOTE/BRAND
190EL9	REX71FFRCO2	f	4,8,11	2x1/2-DOORS FREEZER 670L -22/-15°C,DIGITAL,REM, CO2 W/ VALVE	EPR
190EWE	ESP71FRRCO2	g	4,8,10	2x1/2-DOORS REFRIG 670L -2/+10°C, DIGITAL, REM, CO2 W/ VALVE	EPR
725239	ESP71FFRCO2	a	3,8,10	1-DOOR FREEZER 670L -22/-15°, DIGITAL,REM, CO2 W/VALVE	EPR
725237	ESP71FRRCO2	b	3,8,10	1-DOOR REFRIG 670L -2/+10°C, DIGITAL, REM, CO2 W/VALVE	EPR
725243	REX71FRRCO2	c	3,8,11	1-DOOR REFRIG 670L -2/+10°C, DIGITAL,REM, CO2 W/VALVE	EPR
725245	REX71FFRCO2	d	3,8,11	1-DOOR FREEZER 670L -22/-15°C,DIGITAL,REM, CO2 W/VALVE	EPR
P72223	ESP71GRC	e	5,8,10	1-PV REFRIG 670L +2/+10°C, DIGITAL,REM, CO2 W/VALVE	EPR

## INDEX - INDICE

## PAG.

CABINET FULL DOOR	3
CABINET HALF DOOR	4
CABINET GLASS DOOR	5
SPARE PARTS CODE CABINET	6-7
COOLING UNIT	8
SPARE PARTS CODE COOLING UNIT	9
CONTROL PANEL PREMIUM CABINET	10
CONTROL PANEL STANDARD CABINET	11
SPARE PARTS CODE CONTROL PANEL	12-13



## CABINET FULL DOOR

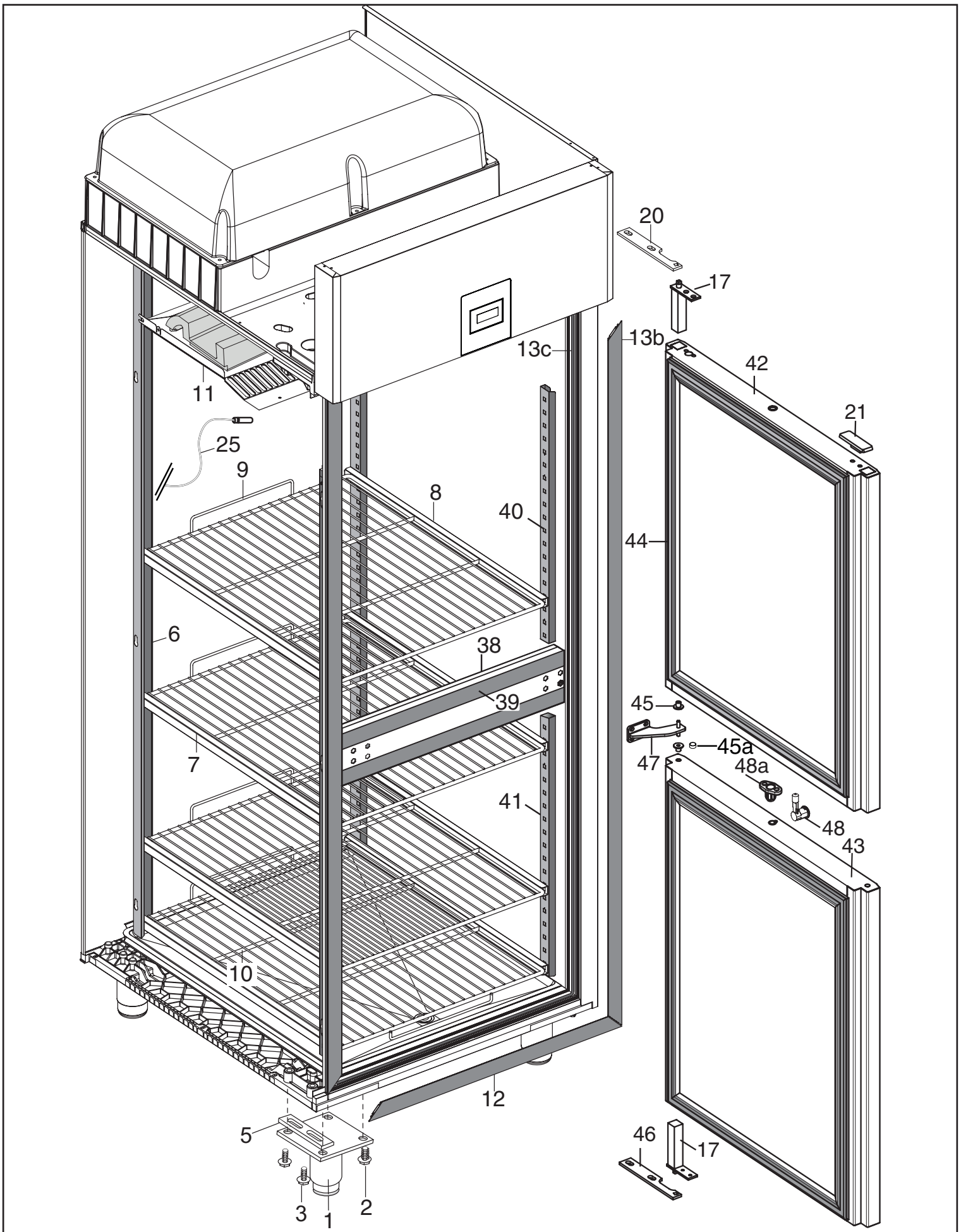
From Ser. Nr.  
Up to Ser. Nr.

Ed. 01 2022-06  
Ed. 01 2023-09

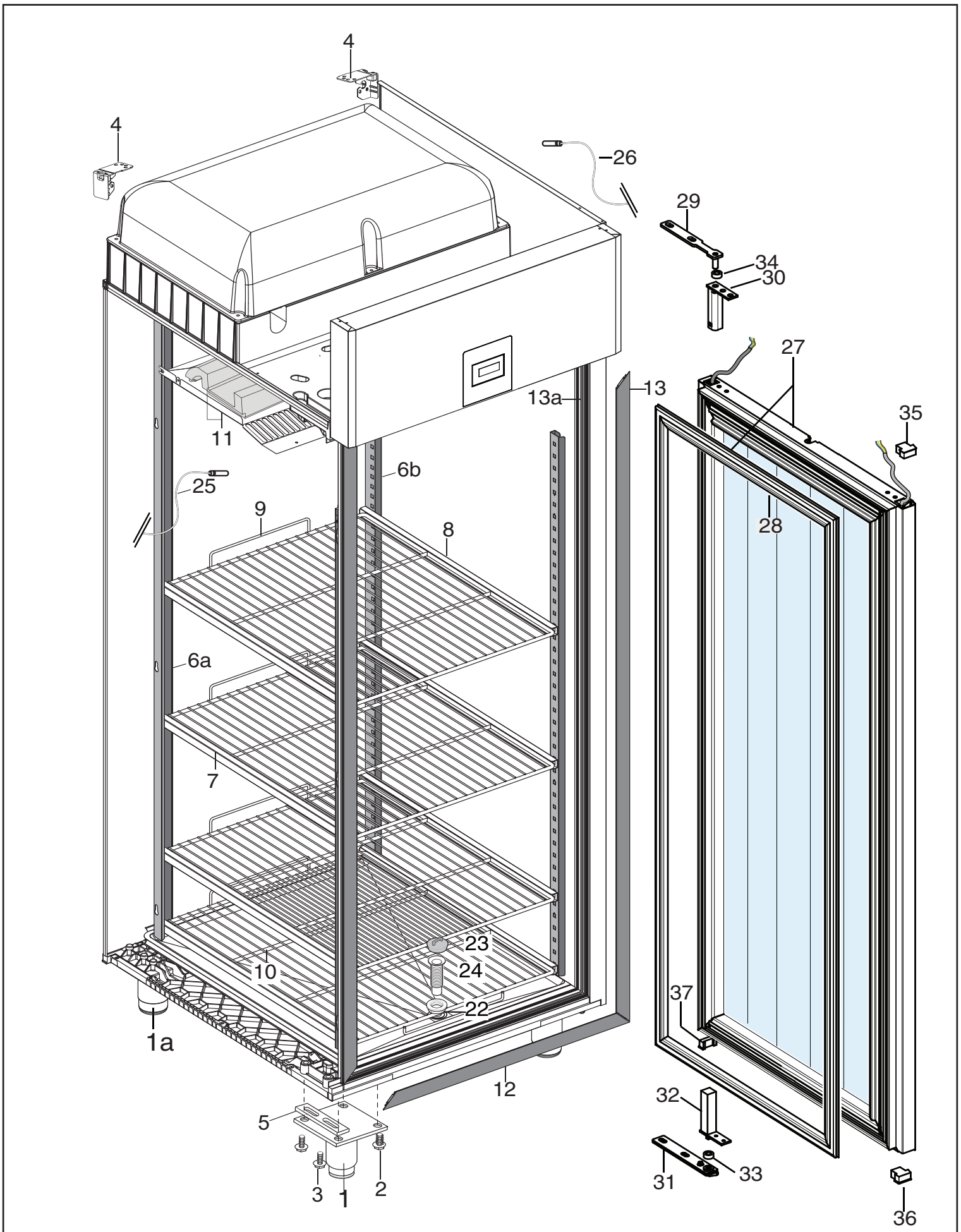
Page: 3

@

Doc No:595R74900



**CABINET HALF DOOR**



## CABINET GLASS DOOR

From Ser. Nr.  
Up to Ser. Nr.

Ed. 01 2022-06  
Ed. 01 2023-09

Page: 5 @

Doc No:595R74900

POS	FACTORY CODE	S.P. CODE	DESCRIPTION	V	W&T	REF.	NOTES	S/N BREAK (YYYY/WK)
1	541R05001	093243	Foot		x	a,b,c,d,f,g		
1	518R02600	093244	Foot		x	e		
1a	541R05001	093243	Foot		x			
2	217555204	093245	Screw ( use by fix foot)		x			
3	518708601	093246	Screw M8X20 ( use by fix bracket)		x			
4	546R34400	095202	Side support (upper)		x			
5	546R27100	093248	Foot spacer		x			
6	501R36201	093355	Front rack right and left		x	a,b,e		
6	501R38201	093249	Front/Back Rack right and left		x	c,d,f		
6a	501R36102	093357	Left back rack		x	a,b,e,g		
6b	501R48301	093356	Right back rack		x	a,b,e,g		
7	501R48000	093358	Left grids support 304		x	a,b,e,g		
7	501R47900	093250	Left grids support 430		x	c,d,f		
8	501R48200	093359	Right grids support 304		x	a,b,e,g		
8	501R48100	093251	Right grids support 430		x	c,d,f		
9	514R10600	093252	Grid 2/1rilsan		x	a,b,c,d,e,f		
10	514R12200	093253	Bottom grid rilsan		x	a,b,c,d,e,f		
11	875R37600	097108	Internal protection with insulation		x	a,d,f		
11	875R37401	097737	Ass. carter with stainless steel protections		x	b,c,e,g		
12	832R09001	093254	Horizontal frame		x			
13	832R09101	093255	Vertical frame		x	a,b,c,d,e		
13a	617R13200	094841	Heating cable frame 22,5 W		x	a,d		
13a	617R26000	097288	Heating cable frame 9 W		x	b,c		
<b>13b</b>	<b>832R09300</b>	<b>093256</b>	<b>Vertical frame</b>		<b>x</b>	<b>f,g</b>		
<b>13c</b>	<b>617R07502</b>	<b>097285</b>	<b>Heating cable frame 28,35W</b>		<b>x</b>	<b>f</b>		
<b>13c</b>	<b>617R07302</b>		<b>Heating cable frame 28,35W</b>		<b>x</b>	<b>g</b>		
14	835R25109	093523	Gasket and door Freezer		x	a		
14	835R27208	093478	Gasket and door refrigerated		x	b		
14	835R27008	093289	Gasket and door refrigerated		x	c		
14	880R50209	093309	Gasket and door Freezer		x	d		
15	835R25008	093524	Door freezer		x	a		
15	835R27607	093477	Door refrigerator		x	b		
15	835R27008	093289	Door refrigerator		x	c		
15	835R24208	093311	Door freezer		x	d		
16	548R08000	094152	Gasket door	x				
17	835704001	082219	Hinge door		x			
18	544700601	081654	Door bush		x	a,b,c,d,e		
19	833R21600	093341	Lower stirrup door		x	a,b,c,d,e		
20	505723803	082257	Upper stirrup door		x			
21	541R05301	093271	Hole hinge plug		x			
22	544701400	081797	1/2' / NUT for discharge cavity water		x	b,e,g		
23	545733700	085535	1/2' Plug for discharge cavity water		x	b,e,g		
24	546R26000	093714	1/2' Pipe for discharge cavity water		x	b,e,g		
25	646R06700	092173	Cavity probe	x				
26	646R10900	093371	Ambient probe	x		a,b,e,g		
27	879R36700	096174	Glass door		x	e		

## SPARE PARTS CODE CABINET ONE/ GLASS DOOR

\* On demand

**Bold=last change**

From Ser. Nr. Up to Ser. Nr.	Ed. 01 2022-06 Ed. 01 2023-09	Page: 6	<b>Doc No:595R74900</b>
---------------------------------	----------------------------------	---------	-------------------------

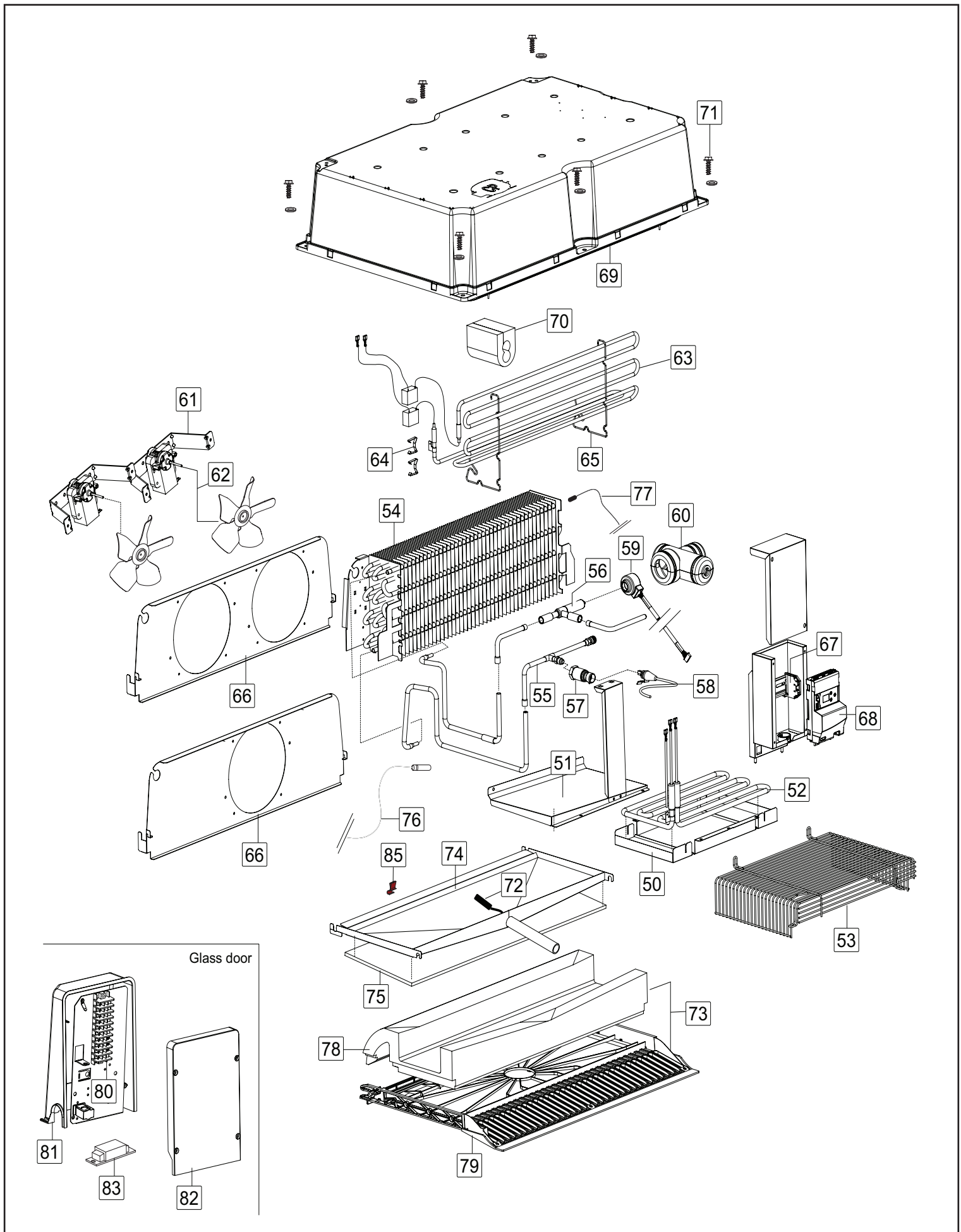
POS	FACTORY CODE	S.P. CODE	DESCRIPTION	V	W&T	REF.	NOTES	S/N BREAK (YYYY/WK)
28	548R08000	094152	Gasket glass door	x		e		
29	505R21900	096180	Upper bracket hinge door		x	e		
30	505R22000	096181	Upper hinge glass door		x	e		
31	833R21901	093301	Lower bracket hinge glass door		x	e		
32	835704001	082219	Lower hinge glass door		x	e		
33	546R23100	093517	Lower bush glass door		x	e		
34	546R35300	096182	Upper bush glass door		x	e		
35	546R22200	093538	Upper plug left/right gless door		x	e		
36	546R22300	093536	Lower plug left/right gless door		x	e		
37	546R22400	093535	Spring seat cap right/upper left /lower		x	e		
37	546R22500	093537	Spring seat cup right/lower or left /upper		x	e		
<b>38</b>	<b>880R64100</b>	<b>093342</b>	<b>Support half door a304</b>		<b>x</b>	<b>f,g</b>		
<b>39</b>	<b>543R09900</b>	<b>093272</b>	<b>Support half door frame</b>		<b>x</b>	<b>f,g</b>		
<b>40</b>	<b>501R51800</b>	<b>093275</b>	<b>Upper rack 1/2 doors</b>		<b>x</b>	<b>f</b>		
<b>40</b>	<b>501R46100</b>	<b>093364</b>	<b>Upper rack 1/2 doors</b>		<b>x</b>	<b>g</b>		
<b>41</b>	<b>501R51600</b>	<b>093276</b>	<b>Lower rack 1/2 doors</b>		<b>x</b>	<b>f</b>		
<b>41</b>	<b>501R51700</b>	<b>093363</b>	<b>Lower rack 1/2 doors</b>		<b>x</b>	<b>g</b>		
<b>42</b>	<b>835R25410</b>	<b>093585</b>	<b>Upper half door a304</b>	<b>x</b>		<b>f</b>		
<b>42</b>	<b>835R26310</b>	<b>093546</b>	<b>Upper half door a304</b>	<b>x</b>		<b>g</b>		
<b>43</b>	<b>835R25509</b>	<b>093519</b>	<b>Lower half door a304</b>	<b>x</b>		<b>f,g</b>		
<b>44</b>	<b>548R08100</b>	<b>094153</b>	<b>Half door gasket</b>	<b>x</b>		<b>f,g</b>		
<b>45</b>	<b>546R21100</b>	<b>093392</b>	<b>Half door bush</b>	<b>x</b>		<b>f,g</b>		
<b>45a</b>	<b>546R23100</b>	<b>093517</b>	<b>Half door bush</b>	<b>x</b>		<b>f,g</b>		
<b>46</b>	<b>505R14200</b>	<b>093713</b>	<b>Lower hinge bracket</b>	<b>x</b>		<b>f,g</b>		
<b>47</b>	<b>505R12400</b>	<b>093344</b>	<b>Central hinge door</b>	<b>x</b>		<b>f,g</b>		
<b>48</b>	<b>833R21100</b>	<b>093433</b>	<b>Door lock</b>		<b>x</b>	<b>f,g</b>		
<b>48a</b>	<b>541R06600</b>	<b>0TH372</b>	<b>Lock plug</b>		<b>x</b>	<b>f,g</b>		

**SPARE PARTS CODE CABINET ONE/ GLASS DOOR**

\* On demand

**Bold=last change**

From Ser. Nr. Up to Ser. Nr.	Ed. 01 2022-06 Ed. 01 2023-09	Page: 7	<b>Doc No:595R74900</b>
---------------------------------	----------------------------------	---------	-------------------------



## COOLING UNIT

From Ser. Nr.  
Up to Ser. Nr.

Ed. 01 2022-06  
Ed. 01 2023-09

Page: 8 @

Doc No:595R74900



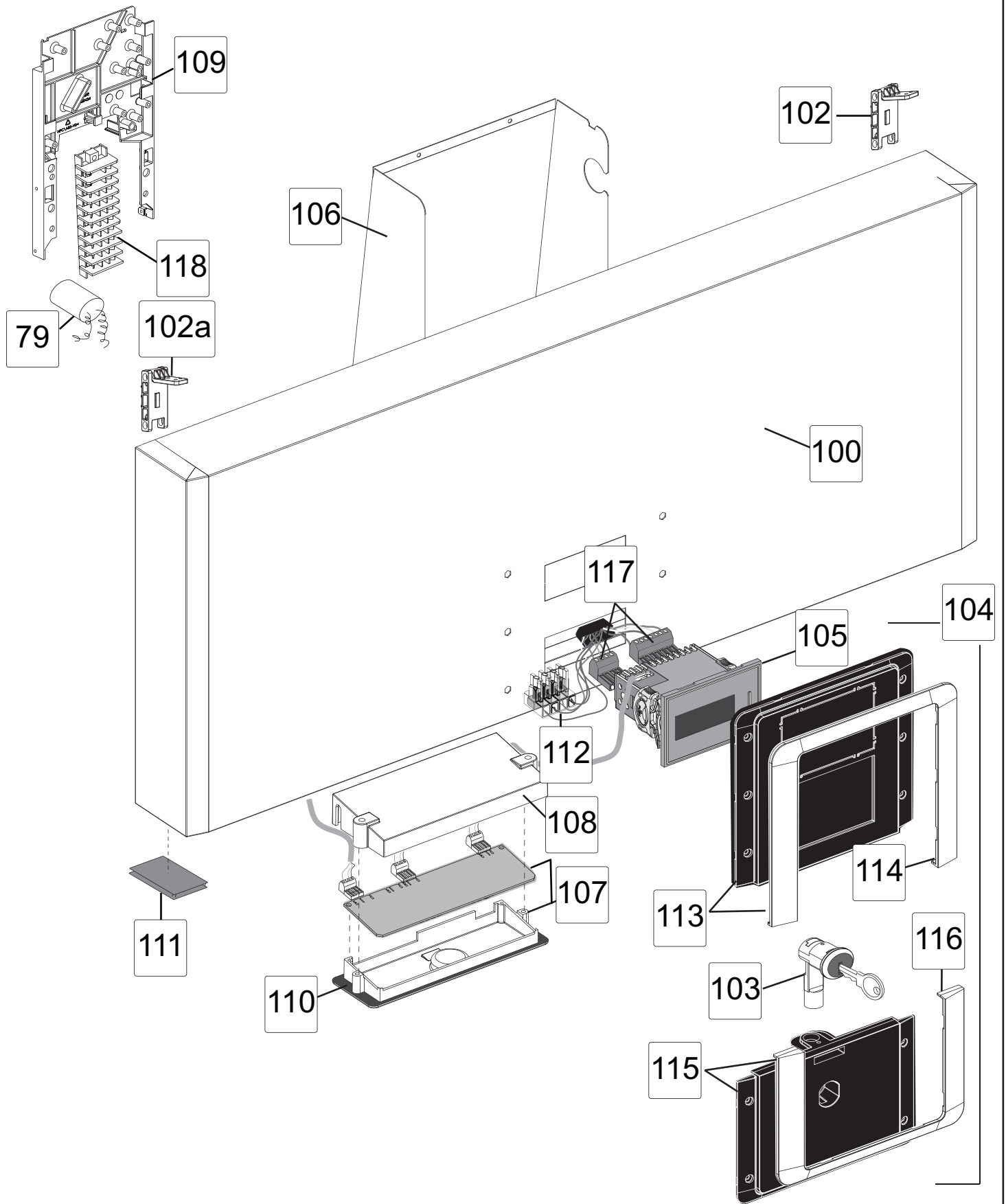
POS	FACTORY CODE	S.P. CODE	DESCRIPTION	V	W&T	REF.	NOTES	S/N BREAK (YYYY/WK)
50	0501R63601	093606	Remote evaporator water tray		x			
51	0501R63701	093607	Remote pipe valve dript ray		x			
52	0617R26100	097289	Remote heating element for water tray		x			
53	0514R13101	093604	Protection grid for heating element		x			
54	0830R02D00		Evaporator Co2 3R 8T	x		a,d,f		
54	0830R02B00		Evaporator Co2 2R 8T	x		b,c,e,g		
55	0515R48400		Out pipe evap. with conn. pressure probe	x				
56	0646R06C01	097030	Electronic expansion valve CO2	x				
57	0646R06K01	097031	Pressure sensor 90 bar	x				
58	0634R01S01	097027	Wiring cable for pressure sensor	x				
59	0805R00L01	097034	Unipolar stator	x				
60	0565717600	089614	Insulation valve Co2		x			
61	0502R52400	093326	Bracket for motore evap. fan		x			
62	0682R02C00	097000	Motor fan evaporator	x				
63	0855R08C00		Heating element for evap. + term.(defrost)	x		a,d,f		
63	0856R18904		Heating element for evap.+term. (defrost)	x		b,c,g		
64	0514R11601	093487	Spring retaining safety thermostat		x			
65	0514R11200	093516	Spring retaining evap. heating element		x	a,d,f		
65	0514R10801	093368	Spring retaining evap. heating element		x	b,g		
66	0501R44803	093314	Evaporator conveyor two motor fan		x	a,b,d,f,g		
66	0501R44003	093294	Evaporator conveyor one motor fan		x	c,e		
67	0639400K00	0CA851	Terminal clamp		x			
68	0648R02A01	097033	Driver evd 115/230 for Co2 valve	x				
69	0835R47601	095201	Evaporator cover		x			
70	0546R25800	093614	Insulation out pipe evaporator cover	x				
71	0217555204	093245	Evaporator cover screws		x			
72	0617R07801	093415	Heating elem. for disch. water condenser	x		a,d,f		
73	0875R37600	097108	Internal protection with insulation		x	a,d,f		
73	0875R37401	097737	Ass. carter with stainless steel protections		x	b,c,e,g		
74	0833R21201	093278	Water tray		x	a,d,f		
75	0548R07200	093409	Insulation water tray		x	a,d,f		
76	0646R06700	092173	Cavity probe	x				
77	0646R06L01	097032	NTC temperature sensor for driver Co2	x				
78	0559R02100	*	Insulation for internal cavity		x	a		
79	0546R45900	*	Plastic protection internal cavity		x			
80	0856R17402	*	Ass. wiring cable		x	e		
81	0546R26701	093976	Electric box		x	e		
82	0546R26501	094425	Cover electric box glass door		x	e		
83	0648R11700	097052	Power supply led light		x	e		

## SPARE PARTS CODE COOLING UNIT

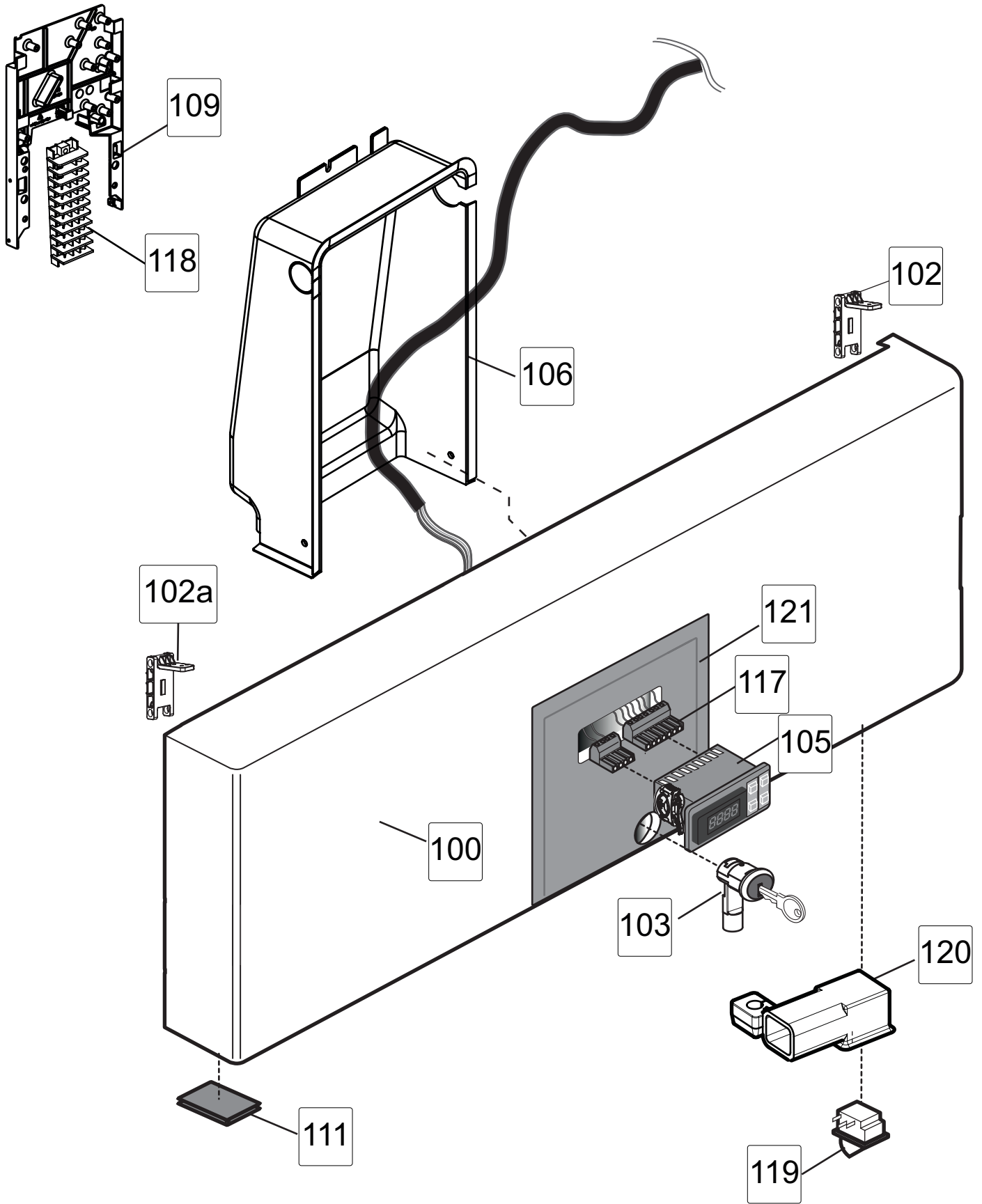
\* On demand

**Bold=last change**

From Ser. Nr. Up to Ser. Nr.	Ed. 01 2022-06 Ed. 01 2023-09	Page: 9	<b>Doc No:595R74900</b>
---------------------------------	----------------------------------	---------	-------------------------



**CONTROL PANEL PREMIUM CABINET**



**CONTROL PANEL STANDARD CABINET**

From Ser. Nr.  
Up to Ser. Nr.

Ed. 01 2022-06  
Ed. 01 2023-09

Page: 11



**Doc No:595R74900**

POS	FACTORY CODE	S.P. CODE	DESCRIPTION	V	W&T	REF.	NOTES	S/N BREAK (YYYY/WK)
79	0694R00502	096636	Electrical filter		x			
99	0883R21702		Panel complete without template		x	a		
99	0883R31801		Panel complete without template		x	b,g		
99	883R78901		Panel complete without template		x	c,d,f		
99	0883R04203		Panel complete without template		x	e		
100	0877R94001		Panel premium with electrical support		x	a,b,g		
100	0877R93901		Panel standard with electrical support		x	c,d,f		
102	0832R10100	093609	Right Hinge for panel		x			
102a	0832R10200	093610	Left Hinge for panel		x			
103	0833R20900	093345	Latch		x			
104	0855R11102	093383	Complete template door and panel		x	a,e		
104	0855R10802	093380	Complete template door and panel		x	b,g		
105	0646R10602	093437	Thermoregulator premium	x		a,b,e,g		
105	0646R10803	093532	Thermoregulator standard	x		c,d	Order KIT 097586 See TB VTX2022_08	Up to 2022/41
105	0855R18400	097579	Thermoregulator standard	x		c,d,f		From 2022/42
106	0504R35000	097245	Protection		x	a,b,e,g		
106	0546R26601	093975	Protection		x	c,d,f		Up to 2022/41
106	0504R39300	097576	Protection		x	c,d,f		From 2022/42
107	0855R12701	093810	Led-lamp board + support	x		a,b,e,g		
108	0546R19600	093387	Protection led-lamp		x	a,b,e,g		
109	0546R43401	097284	Electrical support for control panel		x	a,b,c,d,f,g		
110	0569R05900	093390	Led-lamp board gasket		x	a,b,e,g		
111	0541R05401	093269	Door hinge plug		x			
112	0639R10400	093391	Clamp		x	a,b,e		
113	0855R10200	*	Assembled template panel Elux		x	a		
113	0855R09901	*	Assembled template panel Elux		x	b,g		
114	0546R20000	*	Template frame panel		x	a,b,g		
115	0855R10502	*	Assembled template Door Elux		x	a,b,g		
116	0546R20200	*	Template frame door elux		x	a,b,g		
*	0217541085	093491	Screws M3X8 for control door/panel		x	a,b,g		
117	0639R06800	*	Connector 3 ways right		x			
117	0639R06900	*	Connector 7 ways right		x			
117	*	099740	Connector 7 ways 90°		x			
117	*	099741	Connector 5 ways 90°		x			
117	*	088998	Connector 3 ways 90°		x			
117	*	099743	Connector 3 ways 90° small		x			
117	*	099742	Connector 2 ways 90°		x			
117	*	091682	Connector 4 ways 90°		x			
117	*	091684	Connector 5 ways 90°		x			
117	639R04V00	097578	Connector 3 ways female	x		c,d,f		From 2022/42
118	0856R31501	*	Clamp with complete wiring cable		x	a,b,g		
118	0856R16902	*	Clamp with complete wiring cable		x	c,d		Up to 2022/41
118	0855R0AA00	*	Clamp with complete wiring cable		x	c,d,f		From 2022/42
118	0856R17400	*	Clamp with complete wiring cable		x	e		Up to 2022/41

## SPARE PARTS CODE CONTROL PANEL

\* On demand

**Bold=last change**

From Ser. Nr. Up to Ser. Nr.	Ed. 01 2022-06 Ed. 01 2023-09	Page: 12	<b>Doc No:595R74900</b>
---------------------------------	----------------------------------	----------	-------------------------

POS	FACTORY CODE	S.P. CODE	DESCRIPTION	V	W&T	REF.	NOTES	S/N BREAK (YYYY/WK)
118	0855R0AC00	*	Clamp with complete wiring cable		x	e		From 2022/42
119	0640R02100	094035	Door micro swicth	x		c,d,f		
120	546R12100	092353	Door switch protection	x		c,d,f		
121	0598R98302	096577	Template		x	c,d,f		

\* On demand

**Bold=last change**

From Ser. Nr.  
Up to Ser. Nr.

Ed. 01 2022-06  
Ed. 01 2023-09

Page: 13

**Doc No:595R74900**

Electrolux Professional SpA  
Viale Treviso, 15  
33170 Pordenone, ITALY  
Fax (+39) 0434 380 201  
<https://www.electroluxprofessional.com>  
<https://webgate.electroluxprofessional.com>